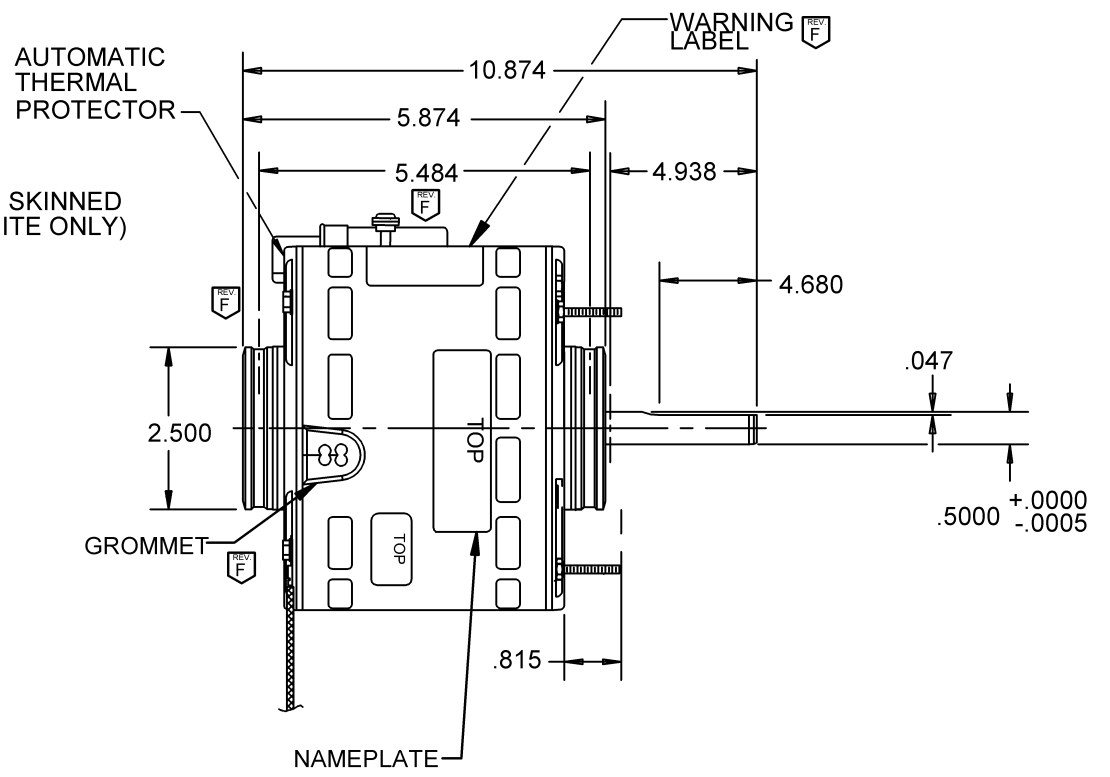
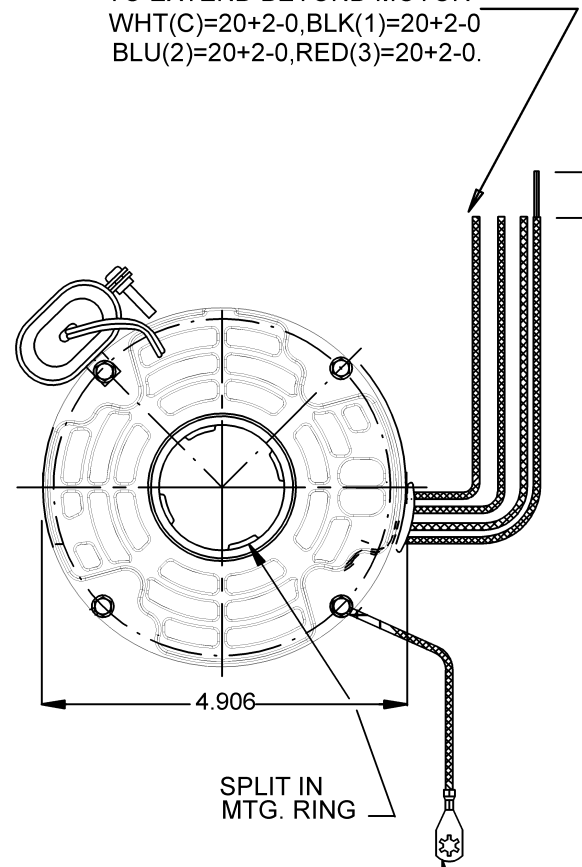


(4) LEADS, #18, .031 THICK INSUL.
 TO EXTEND BEYOND MOTOR
 WHT(C)=20+2-0, BLK(1)=20+2-0
 BLU(2)=20+2-0, RED(3)=20+2-0.



COM-WHT(C)
 HIGH-BLACK(1)
 MED-BLU(2)
 LOW-RED(3)
 CAP BETWEEN
 BRN LEADS

NIDEC MOTOR CORPORATION 18-Sep-14

MODEL	REF	CUSTOMER	HP	VOLTS	AMPS	HZ	RPM	ROTATION	CUSTOMER PN
K48HXWHL-4403	A27887	WHOLESALE-HAC	1/5	115	3.2	60	1050/3SPD	CCW LEAD END	1338P

SHEET NUMBER	REV	REVISION RECORD FOR: D1869-00		
1 OF 1	F	UPDATED SCREW VIEW		
		ADDED WARNING LABEL		
REVISION DATE				
18-SEP-14				
ISSUED BY	REVIEWED BY	ENGINEER APPROVED		
I. DE LEON	B. GAITAN	B. GAITAN		

INFORMATION DISCLOSED ON THIS DOCUMENT IS CONSIDERED PROPRIETARY AND SHALL NOT BE REPRODUCED OR DISCLOSED WITHOUT WRITTEN CONSENT OF NIDEC MOTOR CORPORATION

NIDEC MOTOR CORPORATION

ALL DIMENSIONS ARE FOR REFERENCE ONLY UNLESS TOLERANCE IS GIVEN

TITLE	CODE	ITEM NO.	SIZE
ASSEMBLED VIEW	V01	776617	A