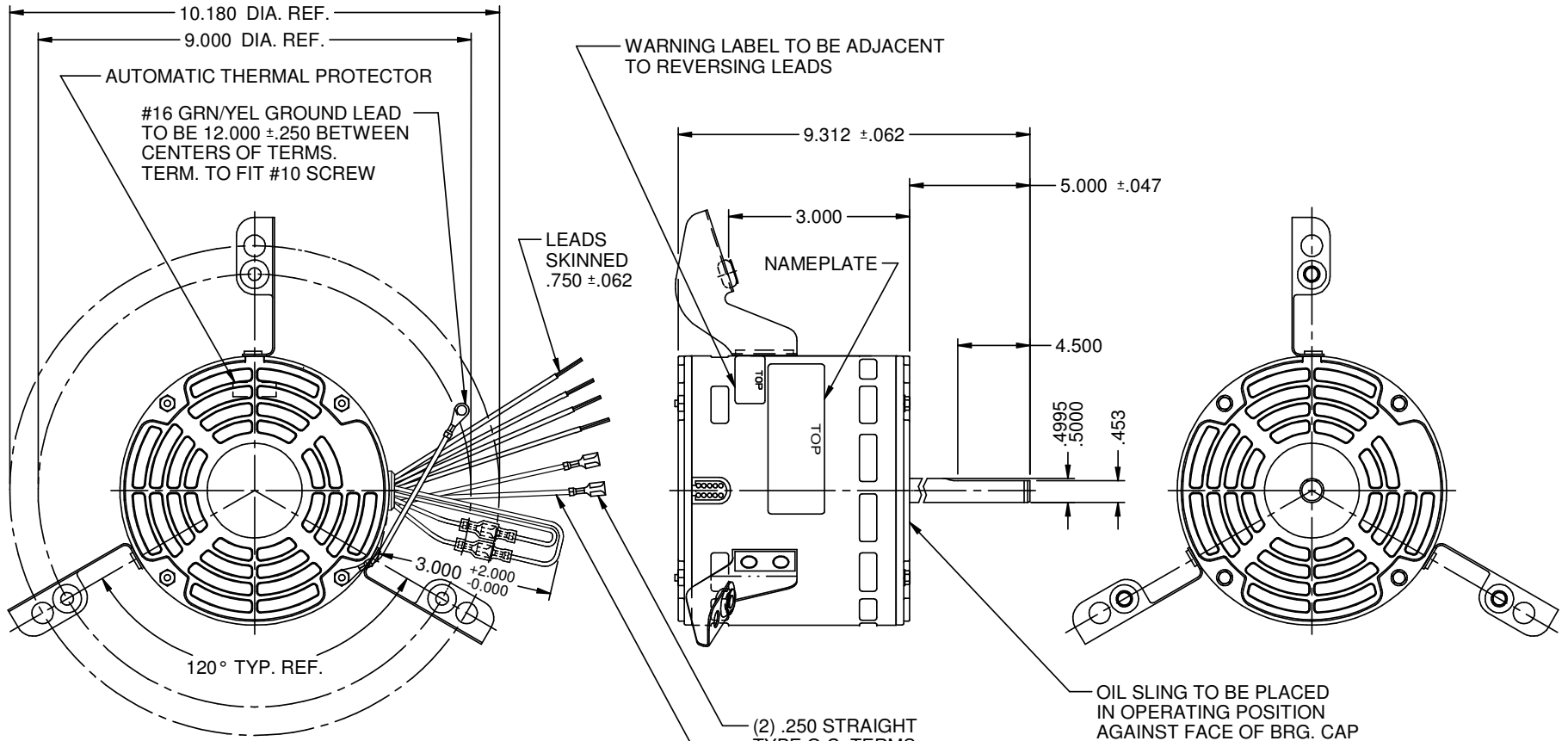


MODEL	REF	CUSTOMER	HP	VOLTS	AMPS	HZ	RPM	ROTATION	CATALOG NO.	DESCRIPTION / REMARKS
K55HXTLS-9489		STANDARD	1/4	208-230	1.7	60	1075/3 SPD	CCW. LEAD END REV	3784	



NOTE:
 1.) OUTER BOLT CIRCLE DIA. DIM. IS FOR MANUFACTURING REFERENCE ONLY.
 2.) (4) LEADS, #18 .031 THICK INSUL. (2) YELLOW & (2) ORANGE FOR REVERSING ROTATION.

6 LEADS, #18, .031 THICK INSUL. TO EXTEND BEYOND MOTOR:
 WHT= 24.000 +2 -0, BLK= 24.000 +2 -0,
 BLU= 24.000 +2 -0, RED= 24.000 +2 -0,
 BRN= 24.000 +2 -0, BRN/WHT= 24.000 +2 -0

NIDEC MOTOR CORPORATION 12-Jun-17 REFER TO S.E.I.M. 24-1

REVISION RECORD FOR: ECO E28830		DIMENSIONS ARE FOR REFERENCE ONLY		NIDEC MOTOR CORPORATION						
CREATED DRAWING:		UNLESS TOLERANCE IS SPECIFIED		INFORMATION DISCLOSED ON THIS DOCUMENT IS CONSIDERED PROPRIETARY AND SHALL NOT BE REPRODUCED OR DISCLOSED WITHOUT WRITTEN CONSENT OF NIDEC MOTOR CORPORATION						
ISSUED BY: G. MEDINA				ENGINEER APPROVED: H. NAVARRO		REVISION DATE: 09-JUN-17				
				TITLE: CUSTOMER DETAIL DRAWING		CODE: V02	ITEM NO.: 815967	REV: -	SHEET NUMBER: 1 OF 3	DWG SIZE: B